

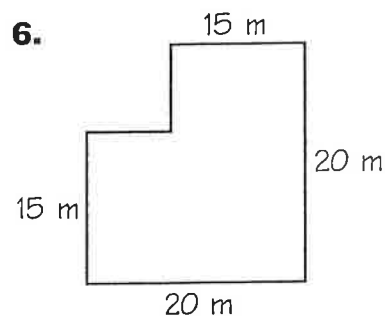
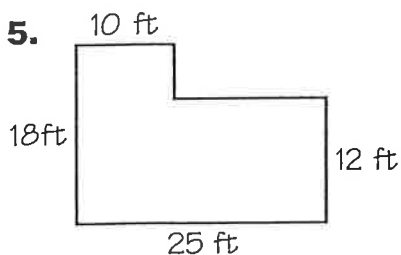
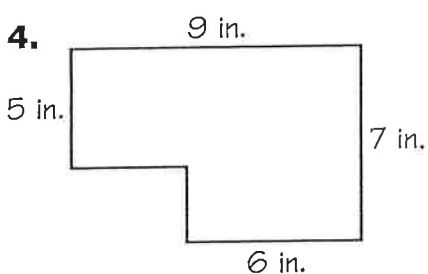
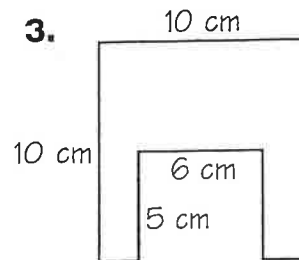
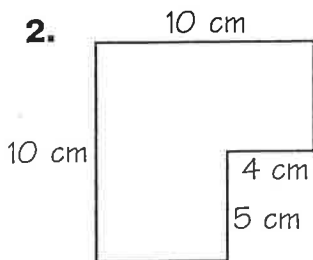
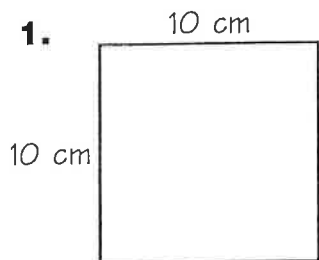
# Why Did the Waiter Put Rubber Bands in the Soup?



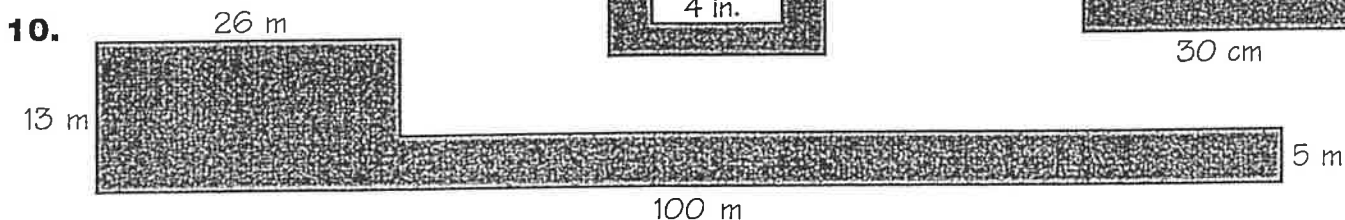
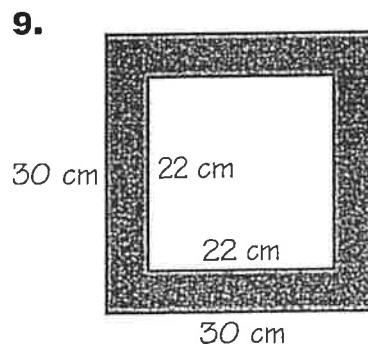
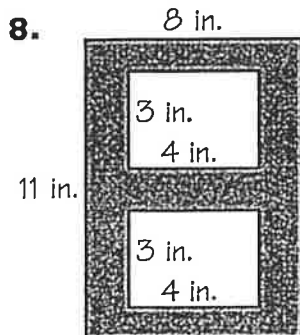
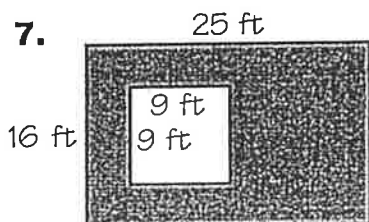
Cross out the letters above each correct answer. When you finish, write the remaining letters in the spaces at the bottom of the page.



A. Find the area of each figure, and the perimeter of each figure #1-6



B. Find the area of each shaded region.



IN	T	AC	UP	YO	U	P	S
319 ft <sup>2</sup>	57 in. <sup>2</sup>	65 cm <sup>2</sup>	708 m <sup>2</sup>	100 cm <sup>2</sup>	335 ft <sup>2</sup>	375 m <sup>2</sup>	436 cm <sup>2</sup>
TO	OK	S	ME	AT	JA	R	N
668 m <sup>2</sup>	416 cm <sup>2</sup>	70 cm <sup>2</sup>	61 in. <sup>2</sup>	360 ft <sup>2</sup>	64 in. <sup>2</sup>	355 m <sup>2</sup>	80 cm <sup>2</sup>

--	--	--	--	--	--	--	--	--	--