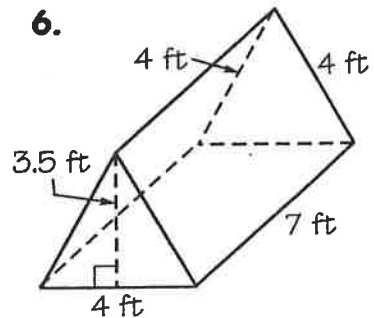
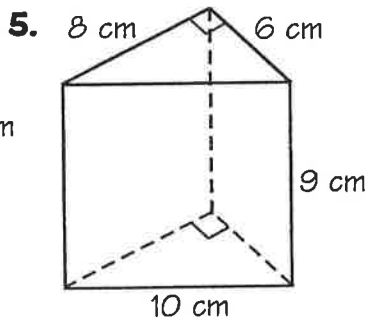
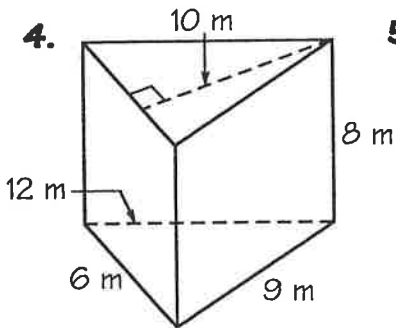
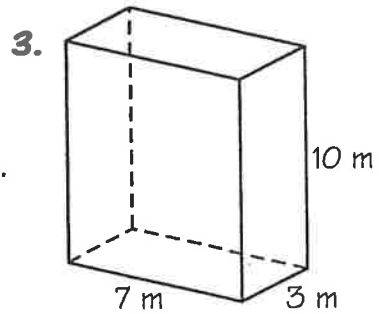
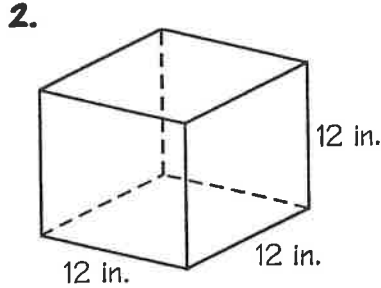
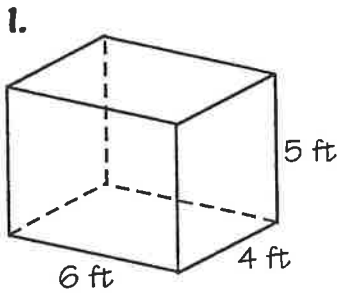


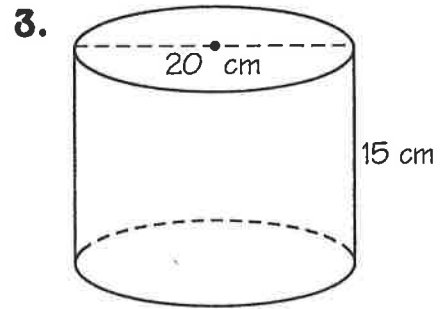
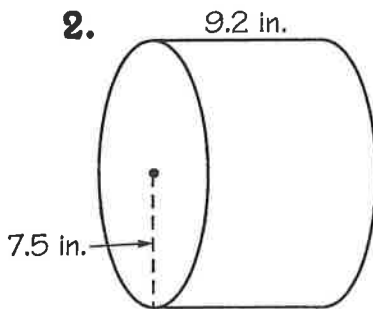
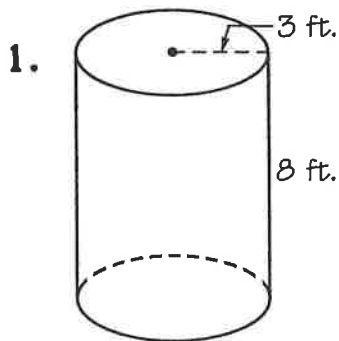
12.7 Surface Area of Prisms + Cylinders hmwk.

You must show a minimum of 3 steps for every problem

Find the surface area of the prism.



Find both the lateral area and total surface area of the cylinder.



a. lateral area: _____

a. lateral area: _____

a. lateral area: _____

b. total area: _____

b. total area: _____

b. total area: _____

Find the total surface area of the cylinder given the radius (r) or diameter (d) and height (h).

4. $r = 5$ ft
 $h = 12$ ft

5. $r = 1.6$ m
 $h = 3.5$ m

6. $d = 18$ ft
 $h = 7$ ft

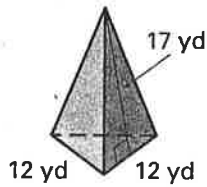
7. $d = 13$ cm
 $h = 2$ cm

12.7 Surface Area of Pyramids & Cones hwk.

you must show a minimum of 3 steps for every problem.

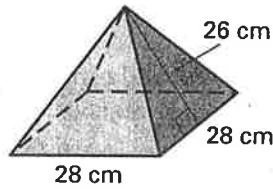
Find the surface area of the regular pyramid.

4.

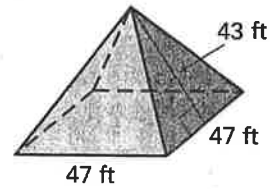


$$B \approx 62.4 \text{ yd}^2$$

5.

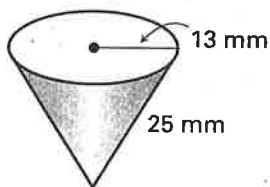


6.

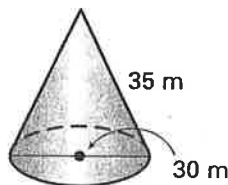


Find the surface area of the cone. Round to the nearest whole number.

7.



8.



9.

